



## Features

- All-in-one panel PC style with 15" touch display
- Power efficient Intel® Dual Core Atom™ D525 processor 1.8GHz/1MB cache (PT6000)
- High performance Intel® Core™ i3-2120 processor 3.30GHz/3MB cache (PT6300)
- Fanless system with aluminum enclosure design (PT6000)
- IP64 water and dust proof protection for front panel
- Stylish and rimless flat panel design with VESA mount supporting
- Optional built-in VFD or 8" / 15" customer display
- 5V/12V DC powered COM with jumper-less BIOS setting
- Easy installation and maintenance for HDD and CF / CFast card slot
- Optional 1D/2D barcode scanner, MSR, smart card, Mifare RFID, iButton or fingerprint reader devices
- Optional UPS battery backup (PT6000)

## PT6000 Series Specification

Model no.		PT6000	PT6300	
Display	LCD Display Size	TFT LCD		
	Max. Resolution	1024x768		
	Brightness	250 cd/m <sup>2</sup>		
	Support Color	16.2M/ 262K colors		
	Backlight	CCFL		
Touch Panel	Type	Five-Wire Analog Resistive or Projected Capacitive		
Processor	CPU/ Chipset	Intel® Atom™ D525 1.80GHz	Intel® Core™ i3-2120 3.3GHz Intel® Pentium® G850 2.9GHz Intel® Celeron® G540 2.5GHz	
Memory		One SO-DIMM socket supports DDR3 800 up to 4GB		
Graphic Memory		Dynamic Video Memory Technology (DVMT) 3.0 supports up to 224MB of video memory	Dynamic Video Memory Technology (DVMT) 3.0 supports up to 512MB of video memory	
Storage		<ul style="list-style-type: none"> <li>● CF X 1</li> <li>● 2.5" SATAII HDD x 1</li> </ul>	<ul style="list-style-type: none"> <li>● CFast x 1</li> <li>● 2.5" SATAII HDD x 1</li> </ul>	
I/O connectors	USB 2.0	X 4		
	PS/2	X 1 (for Keyboard)		
	Powered COM	X 3 (D-type 9 pins powered COM with DC 5V/ 12V selection)	X 2 (D-type 9 pins powered COM with DC 5V/ 12V selection)	
	COM	X 1 (RJ45 CONN)		
	Cash Drawer Port	X 1 (12V RJ11 cash drawer port)		
	Audio Port	Line-out	X 1	
		Mic-in	X 1	
		Speaker	X 1	
	VGA	X 1		
	Parallel	X 1 (optional, alternative to COM3)	X 1 (optional)	
Network	LAN	X 1 (RJ45 10/100/1000 Base-T)		
Option		VFD/ Second display/ MSR/ iButton/ Fingerprint reader/ Smart card reader/ 2D Barcode scanner		
Environment	Temperature	Operation	32° to 95° F (0° to 35° C)	
		Storage	-4° to 140° F (-20° to 60° C)	
	Relative Humidity	20% to 80% non-condensing		
Power Supply		90W or 120W (option with second display) power adapter	180W power adapter	
OS Support		Linux/ Windows CE/ Windows XP Embedded/ Windows Embedded Standard/ Windows Embedded POSReady	Linux/ Windows XP Embedded/ Windows Embedded Standard/ Windows Embedded POSReady	
Chassis Housing		Aluminum		
Dimension		323.6(W) x 264.2(H) x 368(D) mm		



Small footprint and compact design



Optional UPS

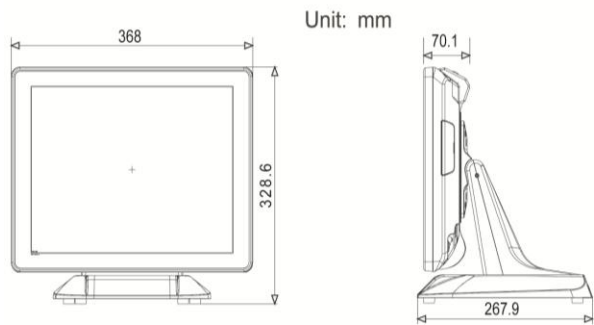


IP64 dust & spill resistant for front bezel

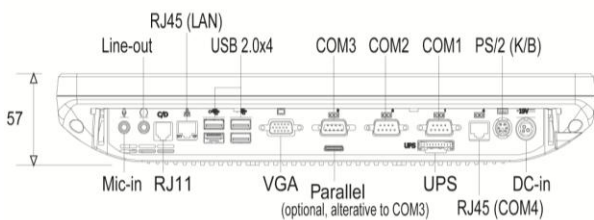


Optional 1D/2D barcode scanner, MSR, smart card, Mifare RFID, iButton or fingerprint reader devices

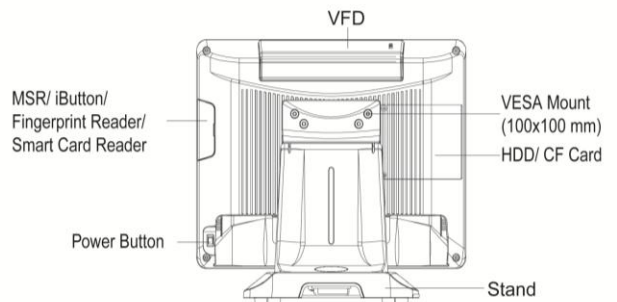
## Mechanical Layout / Drawing



PT6000



PT6000 Series Rear I/O Drawing



PT6300

